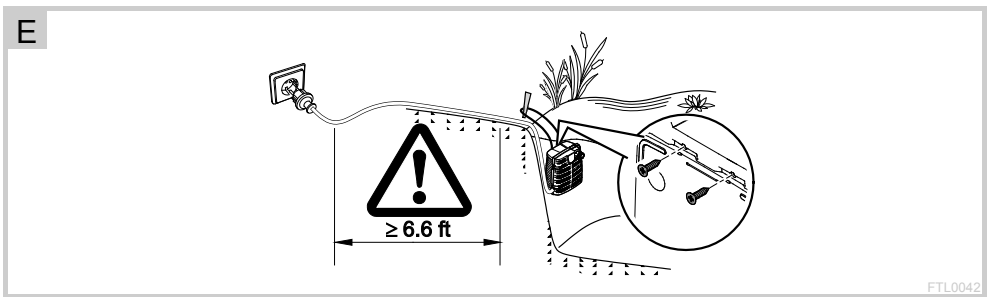
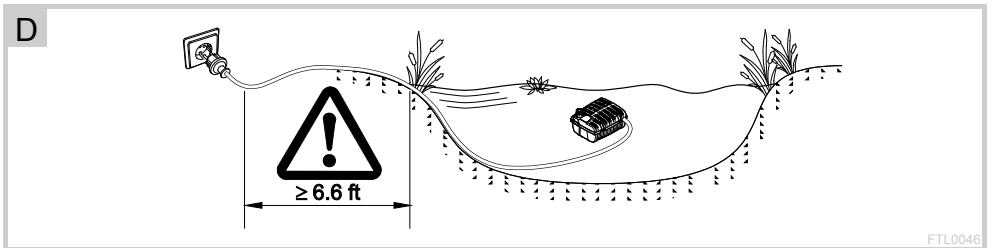
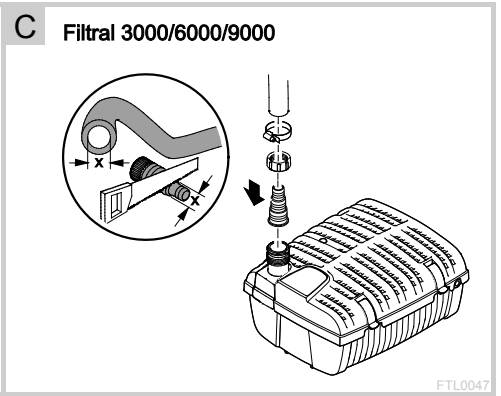
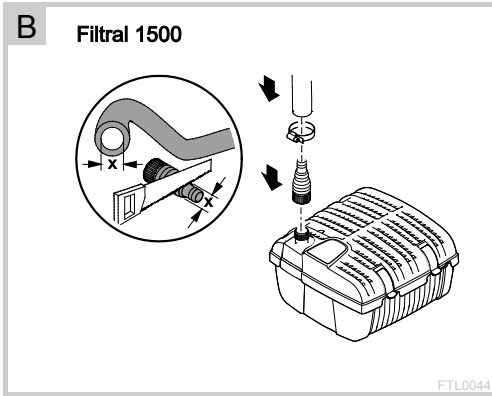
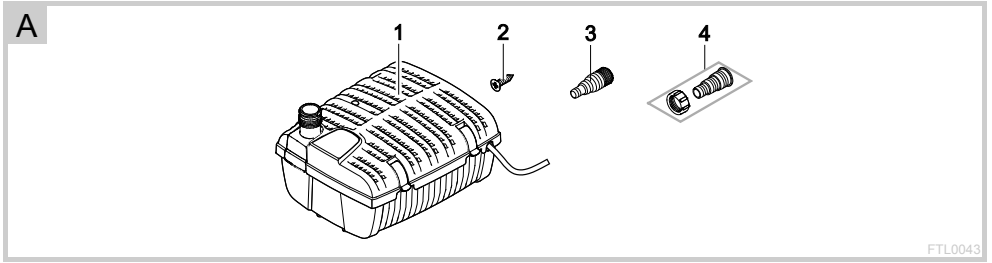


Filtral 1500 / 3000 / 6000 / 9000 UVC

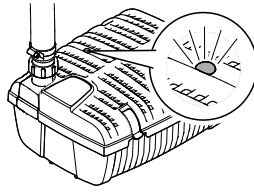
EN Operating instructions
DE Gebrauchsanleitung








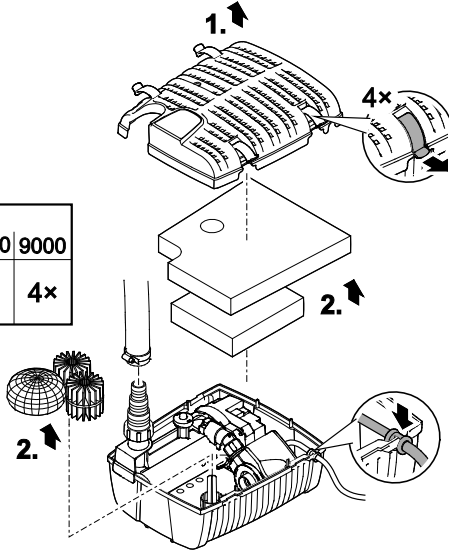
F



FTL0045

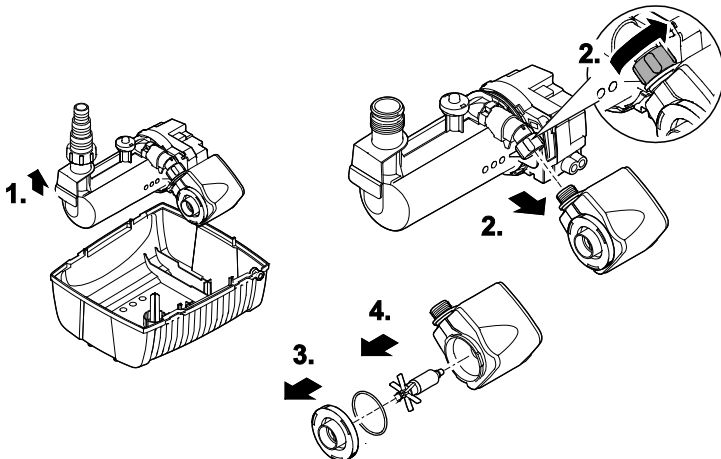
G

	Filtral			
	1500	3000	6000	9000
	1x	2x	4x	4x



FTL0048

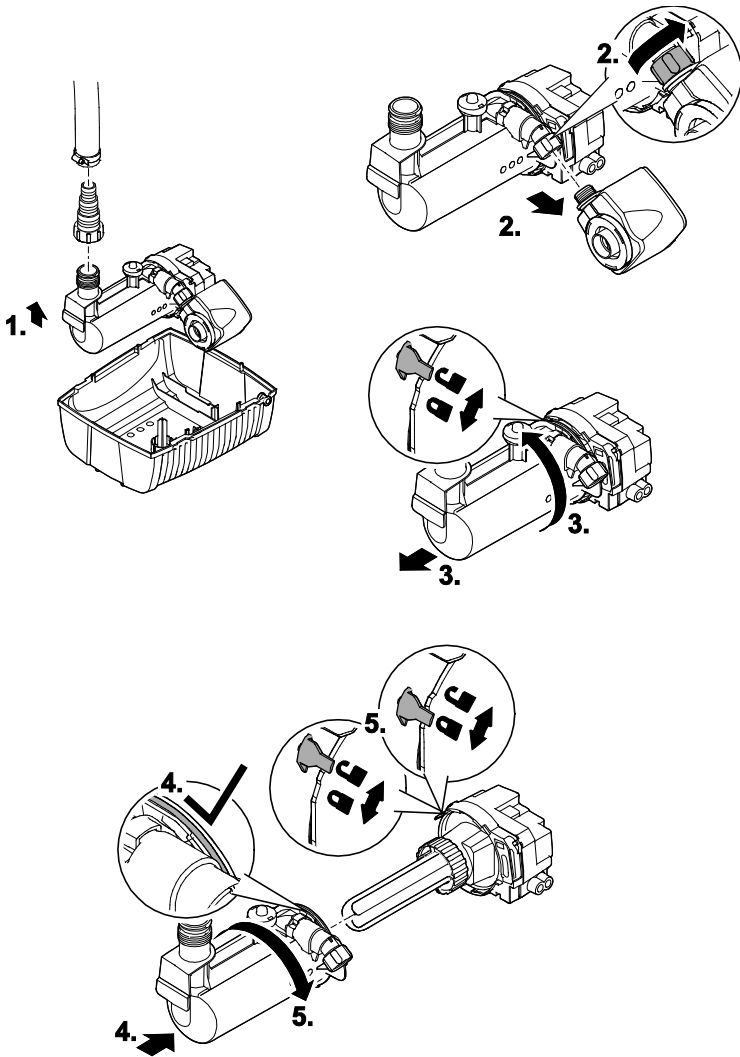
H



FTL0049



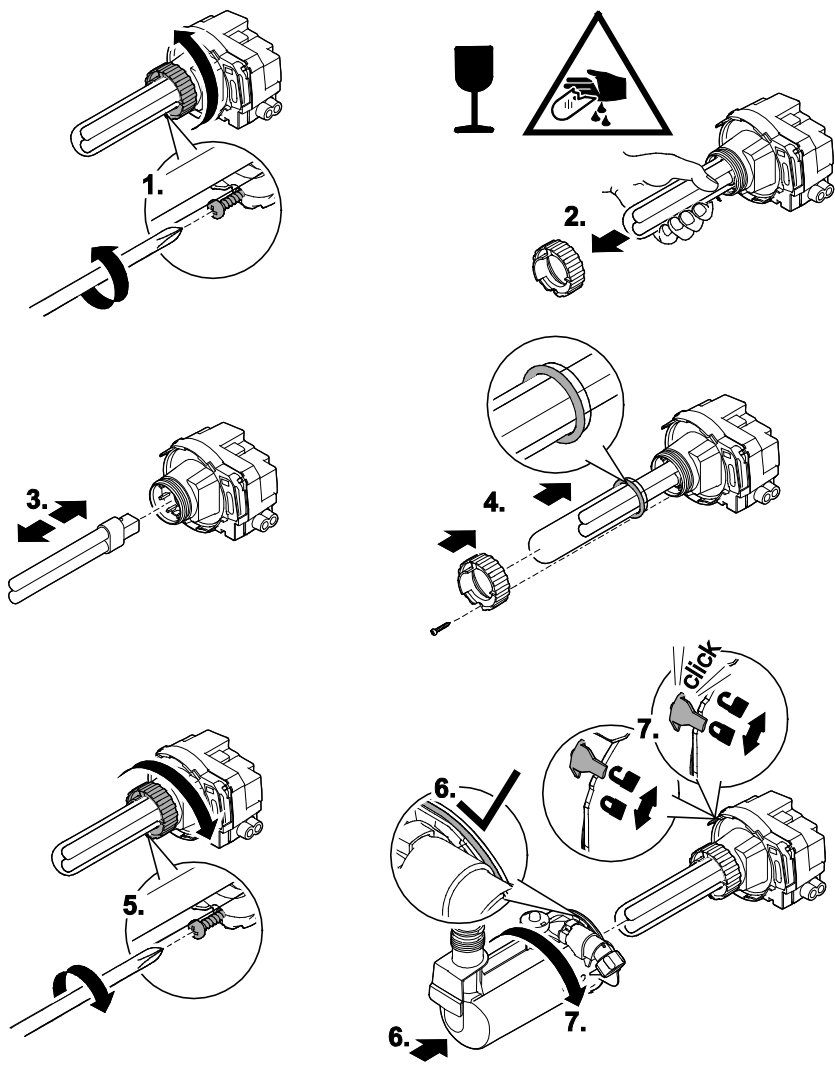
I



FTL0050



J



FTL0037

WARNING

- This unit can be used by children aged 8 and above and by persons with reduced physical, sensory or mental capabilities or lack of experience and knowledge if they are supervised or have been instructed on how to use the unit in a safe way and they understand the hazards involved.
- Do not allow children to play with the unit.
- Only allow children to carry out cleaning and user maintenance under supervision.
- Ensure that the unit is fused for a rated fault current of max. 30 mA by means of a fault current protection device.
- Only connect the unit if the electrical data of the unit and the power supply correspond. The unit data is to be found on the unit type plate, on the packaging or in this manual.
- Possible death or severe injury from electrocution! Before reaching into the water, disconnect all electrical units in the water from the mains.
- Do not use the unit if electrical cables or housings are damaged.
- Only operate the unit if no persons are in the water.
- Disconnect the power plug before carrying out any work on the unit.

Safety information

Electrical connection

- Electrical installations must meet the national regulations and may only be carried out by a qualified electrician.
- A person is regarded as a qualified electrician if, due to his/her vocational education, knowledge and experience, he or she is capable of and authorised to judge and carry out the work commissioned to him/her. This also includes the recognition of possible hazards and the adherence to the pertinent regional and national standards, rules and regulations.
- For your own safety, please consult a qualified electrician.
- Extension cables and power distributors (e.g. outlet strips) must be suitable for outdoor use (splash-proof).
- Protect the plug connection from moisture.
- Only connect the unit to a correctly fitted socket.

Safe operation

- The UVC lamp installed in the device should never be used outside of its housing or in a damaged housing. The ultraviolet radiation can burn the skin and eyes.
- Never carry or pull the unit by the electrical cable.
- Route cables such that they are protected from damage and do not present a tripping hazard.
- Only open the unit housing or its attendant components if this is explicitly specified in the operating instructions.
- Only carry out work on the unit that is described in this manual. If problems cannot be overcome, please contact an authorised customer service point or, if in doubt, the manufacturer.
- Only use original spare parts and accessories for the unit.
- Never carry out technical changes to the unit.

Information about this operating manual

Welcome to OASE Living Water. You have made a good choice by purchasing this product Filtral 1500/3000/6000/9000.

Prior to commissioning the unit, please read the instruction manual carefully and fully familiarise yourself with the unit. Ensure that any work on or with this unit is carried out according to this manual.

Adhere to the safety information for the correct and safe use of the unit.

Keep these instructions in a safe place. Please also hand over the instructions when passing the unit on to a new owner.

Warnings used in these instructions

The warning information is categorised by signal words, which indicate the extent of the hazard.



CAUTION

Indicates a possibly dangerous situation, which could lead to medium or minor injuries, if not avoided.



NOTE

Indicates a possibly dangerous situation, which could lead to damage to property or the environment, if not avoided.

Cross-references used in these instructions

□ A reference to a figure, e.g. figure A.

→ Reference to another section.

Product Description

Filtral 1500/3000/6000/9000 is an underwater filter with integrated pump and UVC clarifier. The filter media and the UVC clarifier integrated in the device remove dirt, algae and bacteria.

Scope of delivery

□ A	Filtral		Beschreibung
	1500	3000/6000/9000	
1	●	●	Underwater filter
2	●	●	2 × screws • For hanging the underwater filter to a side of the pond.
3	●	–	Stepped hose adapter, thread G½
4	–	●	Stepped hose adapter with union nut, thread G1"

Accessories

- Aeration Set (70364)
- Nozzle Set (71785)

Intended use

Filtral 1500/3000/6000/9000, referred to as "unit", may only be used as specified in the following:

- For cleaning garden ponds.
- For operation with clean water.
- Operate in accordance with instructions. (→ Technical data)

The following restrictions apply to the unit:

- Do not use in swimming ponds.
- The UVC clarifier installed in the device kills algae and bacteria in the pond water. The UVC lamp may never be used for any other purpose or outside of the housing.
- Never use the unit with fluids other than water.
- Never run the unit without water.
- Do not use for commercial or industrial purposes.
- Do not use in conjunction with chemicals, foodstuff, easily flammable or explosive substances.

Assembly

B, C

Connection to the output:

- Use a stepped hose adapter in order to connect up the hose for a watercourse/water feature.
- Hand-tighten the stepped hose adapter.

Installation**Set up the device horizontally**

Adhere to the following conditions for dry installation:

D

- Ensure that the connection to the power supply is at least 2 m from the pond.
- Only install the unit below water level.
- Set up the device horizontally on a firm, mud-free surface.

Hang up the device

Adhere to the following conditions for dry installation:

E

- Ensure that the connection to the power supply is at least 2 m from the pond.
- Only install the unit below water level.
- Hang up on the bolts using a cord. Secure the cord on the side of the pond.

Commissioning/start-up**NOTE**

The unit will be destroyed if it is operated with a dimmer. It contains sensitive electrical components.

- Do not connect the unit to a dimmable power supply.

Switching on: Connect the unit to the mains. The unit switches on immediately.

Switching off: Disconnect the unit from the mains.

F

The viewing window shows that the UVC lamp in the device is working.

Remedy of faults

Malfunction	Cause	Remedy
Unit is not operating	No mains voltage	Check the mains voltage.
Delivery insufficient or not consistent, Cloudy water	The loss of pressure on the pipe to the water-course/water feature is too high	Reduce hose length and connecting parts to a minimum, route hoses as straight as possible
	Intake openings blocked	Clean housing
	Filter media clogged	Clean filter media
	Running unit blocked	Clean the running unit
	Pond extremely dirty	Remove algae and leaves from the pond, change the water
The UVC lamp does not light	Quartz glass tube soiled	Clean the quartz glass tube
	The UVC lamp overheats. The temperature monitor turned off the UVC lamp	After cooling down, the UVC lamp switches on again automatically
	The UVC lamp is defective	Replace the UVC lamp.
Unit switches off after a short running period	The UVC lamp is not inserted into the socket properly	Insert the UVC lamp correctly into the socket
	Water temperature too high	Observe the maximum water temperature of +35 °C

Maintenance and cleaning

Recommendation regarding cleaning:

- Clean the unit as required but at least twice a year.
- When cleaning the pump, pay particular attention to the cleaning of the impeller unit and pump housing.

Do not use chemical cleaning agents. Chemical cleaning agents kill the dirt-consuming microorganisms in the filter media and so reduce the filter performance.

Access to the device

The device must be opened to carry out cleaning and maintenance, opening allows access to the filter media, filter pump and UVC clarifier or UVC lamp.

How to proceed:

G

1. Release the clamps on the upper filter shell and remove the upper filter shell from the device.
2. Remove filter media.

Clean filter media

Prerequisite:

- Housing is opened. (→ Access to the device)

How to proceed:

1. Carefully clean the removed filter media using clean tap water.
2. Also clean the upper filter shell and the filter subshell carefully with clean tap water.
3. Reassemble the unit in the reverse order.

Clean filter pump

Prerequisite:

- Housing is opened. (→ Access to the device)

How to proceed:

H

1. Remove the filter pump and the UVC clarifier from the device.
 - When doing so, peel off the cable support sleeve on the connection cable from the groove in the filter subshell.
2. Remove the union nut and pull off the pump.
3. Rotate the pump cover counter-clockwise and remove.
 - Pay attention that the seal does not get lost.
4. Pull the running unit out of the pump.
5. Clean all components using clean tap water.
6. Reassemble the unit in the reverse order.

G

7. Pay attention to the cable support sleeve on the connection cable. This must be reapplied to the groove of the filter subshell.

Clean UVC clarifier



CAUTION

The quartz glass and UVC lamp could break and result in cuts.

- Be careful when carrying out all work on the UVC clarifier in order to avoid cuts.
- Shocks, impacts and hectic movements should be avoided to prevent the breaking of glass.

For safety reasons, the UVC lamp can only be turned on when the UVC clarifier is properly installed into the device.

Prerequisite:

- Housing is opened. (→ Access to the device)

How to proceed:

I

1. Remove the filter pump and the UVC clarifier from the device.
 - When doing so, peel off the cable support sleeve on the connection cable from the groove in the filter subshell.
2. Remove the union nut and pull off the pump.
3. Rotate the water housing counter-clockwise until the marking points to the opened lock. Subsequently, carefully remove the water housing from the device head and clean all parts.
 - Heavy impacts can damage the quartz glass or the UVC lamp underneath.
 - Check the quartz glass for visible damage.
 - Clean: Clean the quartz glass from the outside with a damp cloth, the water housing with clean water and a brush.
4. After cleaning, carefully slide the device head back onto the water housing.
 - Pay attention that the big O-ring has been inserted so as to ensure that the housing is watertight.
5. Rotate the device head clockwise until the marking points to the closed lock.
6. Put the device back together by completely executing the steps in the reverse order.

Exchange the UVC lamp



CAUTION

The quartz glass and UVC lamp could break and result in cuts.

- Be careful when carrying out all work on the UVC clarifier in order to avoid cuts.
- Shocks, impacts and hectic movements should be avoided to prevent the breaking of glass.

For safety reasons, the UVC lamp can only be turned on when the UVC clarifier is properly installed into the device.

Recommendation: To ensure optimum filter performance, the UVC lamp should be replaced after approx. 8000 operating hours.

Prerequisite:

- Housing is opened. (→ Access to the device)
- The water housing of the UVC clarifier is opened.(→ Clean UVC clarifier)

How to proceed:

J

1. Using a screwdriver, loosen the safety screw securing the union nut on the quartz glass.
2. Unscrew the union nut counter-clockwise, then carefully remove the quartz glass.
 - Heavy impacts can damage the quartz glass or the UVC lamp underneath.
3. Carefully pull the UVC lamp from the pedestal. Replace with a new UVC lamp.
 - Only use UVC lamps that correspond with the device's technical data.(→ Technical data)
4. Carefully slide the quartz glass with the union nut and the O-ring onto the UVC lamp.
 - Pay attention that the O-ring is located between the union nut and the thread on the UVC clarifier, in order that the quartz glass closes watertight.
5. Tighten the union nut in the clockwise direction as tightly as possible. Then tighten the safety screw on the union nut.
6. Carefully slide the device head back onto the water housing.
 - Pay attention that the big O-ring has been inserted so as to ensure that the housing is watertight.
7. Rotate the device head clockwise until the marking points to the closed lock.
8. Put the device back together by completely executing the steps in the reverse order.

Storage/overwintering

The unit is not frost-proof and has to be removed and put into storage if minus temperatures are expected. How to correctly store the unit:

- Thoroughly clean the unit, check it for damage and replace any damaged parts.
- Drain the unit as far as possible, clean thoroughly and check for damage.
- Empty all hoses, pipes and connections as far as possible.
- Protect electrical connections from moisture and dirt.
- Store the pump submerged and in a frost-free environment.
- Protect open plug connections from moisture and dirt.

Wear parts

- Filter media
- Impeller unit
- UVC lamp, quartz glass and O ring for quartz glass

Spare parts

The use of original parts from OASE ensures continued safe and reliable operation of the unit. Please visit our website for spare parts drawings and spare parts.



www.oase-livingwater.com/spareparts

Disposal



NOTE

Do not dispose of this unit with domestic waste.

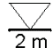





- Render the unit unusable beforehand by cutting the cables and dispose of the unit via the return system provided for this purpose.
- Dispose of UVC lamps by availing of the take-back system in place for this purpose.

Technical data

Description		Filtral				
		1500	3000	6000	9000	
Rated voltage	V AC	230	230	230	230	
Rated frequency	Hz	50	50	50	50	
Power consumption	W	18	36	52	58	
Performance of UVC lamp TC-S	W	5	9	11	13	
Hose connection per stepped hose adapter	mm	13/19/25	13/19/25	13/19/25	13/19/25	
Max. conveying performance	l/h	560	1200	1700	1700	
Max. water column	m	0.9	1.8	2.1	2.1	
Filter surface	cm ²	301	440	697	697	
Filter foam (blue)	Quantity	1	1	1	1	
	Pore size	ppi	10	10	10	10
Filter foam (red)	Quantity	1	1	1	1	
	Pore size	ppi	30	30	30	30
Number of bio surface elements		1	2	4	4	
Number of bags of filter ceramic		1	1	1	1	
Pond size (with fish)	m ³	0.75	1.5	3	4.5	
Pond size (without fish)	m ³	1.5	3	6	9	
Dimensions	Length	mm	207	269	347	347
	Width	mm	228	245	276	276
	Height	mm	130	140	157	157
Weight	kg	2.7	3.4	4.9	4.9	
Length of the connection cable	m	10	10	10	10	

1) With optionally available Venturi nozzle

Symbols on the unit

IP 68 	Dust-tight. Watertight to 2 m depth.
	Dangerous UVC radiation!
	Remove the unit at temperatures below zero (centigrade).
	Fragile, handle with care. Danger of cut injuries.
	Do not dispose of together with household waste!
	Read the operating instructions!

WARNUNG

- Dieses Gerät kann von Kindern ab 8 Jahren und darüber sowie von Personen mit verringerten physischen, sensorischen oder mentalen Fähigkeiten oder Mangel an Erfahrung und Wissen benutzt werden, wenn sie beaufsichtigt oder bezüglich des sicheren Gebrauchs des Gerätes unterwiesen wurden und die daraus resultierenden Gefahren verstehen.
- Kinder dürfen nicht mit dem Gerät spielen.
- Reinigung und Benutzerwartung dürfen nicht von Kindern ohne Beaufsichtigung durchgeführt werden.
- Das Gerät muss über eine Fehlerstrom-Schutzeinrichtung mit einem Bemessungsfehlerstrom von maximal 30 mA abgesichert sein.
- Gerät nur anschließen, wenn die elektrischen Daten von Gerät und Stromversorgung übereinstimmen. Die Gerätedaten befinden sich auf dem Typenschild am Gerät, auf der Verpackung oder in dieser Anleitung.
- Tod oder schwere Verletzungen durch Stromschlag sind möglich! Bevor Sie ins Wasser greifen, alle elektrischen Geräte im Wasser vom Stromnetz trennen.
- Gerät nicht verwenden, wenn elektrische Leitungen oder Gehäuse beschädigt sind.
- Gerät nur betreiben, wenn sich keine Personen im Wasser aufhalten.
- Vor Arbeiten am Gerät Netzstecker ziehen.

Sicherheitshinweise

Elektrischer Anschluss

- Elektrische Installationen müssen den nationalen Errichterbestimmungen entsprechen und dürfen nur von einer Elektrofachkraft vorgenommen werden.
- Eine Person gilt als Elektrofachkraft, wenn sie auf Grund ihrer fachlichen Ausbildung, Kenntnisse und Erfahrungen befähigt und berechtigt ist, die ihr übertragenen Arbeiten zu beurteilen und durchzuführen. Das Arbeiten als Fachkraft umfasst auch das Erkennen möglicher Gefahren und das Beachten einschlägiger regionaler und nationaler Normen, Vorschriften und Bestimmungen.
- Bei Fragen und Problemen wenden Sie sich an eine Elektrofachkraft.
- Verlängerungsleitungen und Stromverteiler (z. B. Steckdosenleisten) müssen für die Verwendung im Freien geeignet sein (spritzwassergeschützt).
- Steckerverbindungen vor Feuchtigkeit schützen.
- Gerät nur an einer vorschriftsmäßig installierten Steckdose anschließen.

Sicherer Betrieb

- Die in das Gerät eingebaute UVC-Lampe niemals außerhalb ihres Gehäuses verwenden oder in einem beschädigten Gehäuse betreiben. Die ultraviolette Strahlung kann Haut und Augen verbrennen.
- Gerät nicht an der elektrischen Leitung tragen oder ziehen.
- Leitungen geschützt vor Beschädigungen verlegen und darauf achten, dass niemand darüber fallen kann.
- Gehäuse des Gerätes oder zugehöriger Teile nur öffnen, wenn in dieser Anleitung ausdrücklich dazu aufgefordert wird.
- Nur die Arbeiten am Gerät durchführen, die in dieser Anleitung beschrieben sind. Wenn sich Probleme nicht beheben lassen, eine autorisierte Kundendienststelle oder im Zweifelsfall den Hersteller kontaktieren.
- Nur Original-Ersatzteile und –Zubehör für das Gerät verwenden.
- Niemals technische Änderungen am Gerät vornehmen.

Über diese Gebrauchsanleitung

Willkommen bei OASE Living Water. Mit dem Kauf des Produkts Filtral 1500/3000/6000/9000 haben Sie eine gute Wahl getroffen.

Lesen Sie vor der ersten Benutzung des Gerätes die Anleitung sorgfältig und machen Sie sich mit dem Gerät vertraut. Alle Arbeiten an und mit diesem Gerät dürfen nur gemäß der vorliegenden Anleitung durchgeführt werden.

Beachten Sie unbedingt die Sicherheitshinweise für den richtigen und sicheren Gebrauch.

Bewahren Sie diese Anleitung sorgfältig auf. Bei Besitzerwechsel geben Sie bitte die Anleitung weiter.

Warnhinweise in dieser Anleitung

Die Warnhinweise in dieser Anleitung sind durch Signalworte klassifiziert, die das Ausmaß der Gefährdung anzeigen.



VORSICHT

Kennzeichnet eine möglicherweise gefährliche Situation, die mittelschwere oder leichte Verletzungen zur Folge haben kann, wenn sie nicht vermieden wird.



HINWEIS

Kennzeichnet eine möglicherweise gefährliche Situation, die Sach- oder Umweltschäden zur Folge haben kann, wenn Sie nicht vermieden wird.

Verweise in dieser Anleitung

A Verweis auf eine Abbildung, z. B. Abbildung A.

→ Verweis auf ein anderes Kapitel.

Produktbeschreibung

Filtral 1500/3000/6000/9000 ist ein Unterwasserfilter mit integrierter Pumpe und UVC-Klärer. Die Filtermedien und der UVC-Klärer im Gerät beseitigen Schmutz, Algen und Bakterien.

Lieferumfang

☐ A	Filtral		Beschreibung
	1500	3000/6000/9000	
1	●	●	Unterwasserfilter
2	●	●	2 × Schraube • Zum Aufhängen des Unterwasserfilters an einer Teichwand.
3	●	–	Stufenschlauchtülle, Gewinde G½
4	–	●	Stufenschlauchtülle mit Überwurfmutter, Gewinde G1"

Zubehör

- Belüftungsset (70364)
- Düsenset (71785)

Bestimmungsgemäße Verwendung

Filtral 1500/3000/6000/9000, "Gerät" genannt, darf ausschließlich wie folgt verwendet werden:

- Zur Reinigung von Gartenteichen.
- Zum Betrieb mit sauberem Wasser.
- Betrieb unter Einhaltung der technischen Daten. (→ Technische Daten)

Für das Gerät gelten folgende Einschränkungen:

- Nicht in Schwimmteichen verwenden.
- Der in das Gerät eingebaute UVC-Klärer dient der Abtötung von Algen und Bakterien im Teichwasser. Die UVC-Lampe darf niemals für andere Zwecke oder außerhalb des Gehäuses betrieben werden.
- Niemals mit anderen Flüssigkeiten als Wasser betreiben.
- Niemals ohne Wasserdurchfluss betreiben.
- Nicht für gewerbliche oder industrielle Zwecke verwenden.
- Nicht in Verbindung mit Chemikalien, Lebensmitteln, leicht brennbaren oder explosiven Stoffen einsetzen.

Montage

- B, C

Anschluss am Ausgang:

- Anschluss eines Schlauchs für einen Bachlauf/Wasserspeier mittels Stufenschlauchtülle.
- Stufenschlauchtülle handfest anziehen.

Aufstellen

Gerät waagrecht aufstellen

Folgende Bedingungen sind einzuhalten:

- D
- Netzanschluss muss mindestens 2 m vom Teich entfernt liegen.
- Gerät nur unterhalb des Wasserspiegels aufstellen.
- Gerät waagrecht auf einem festen, schlammfreien Untergrund aufstellen.

Gerät hängend aufstellen

Folgende Bedingungen sind einzuhalten:

- E
- Netzanschluss muss mindestens 2 m vom Teich entfernt liegen.
- Gerät nur unterhalb des Wasserspiegels aufstellen.
- Gerät an den Schrauben auf eine Schnur hängen. Schnur am Teichufer befestigen.

Inbetriebnahme



HINWEIS

Gerät wird zerstört, wenn es mit einem Dimmer betrieben wird. Es enthält empfindliche elektrische Bauteile.

- Gerät nicht an eine dimmbare Stromversorgung anschließen.

Einschalten: Gerät mit dem Netz verbinden. Das Gerät schaltet sich sofort ein.

Ausschalten: Gerät vom Netz trennen.

- F

Das Sichtfenster zeigt an, wenn die UVC-Lampe im Gerät in Betrieb ist.

Störungsbeseitigung

Störung	Ursache	Abhilfe
Das Gerät läuft nicht	Netzspannung fehlt	Netzspannung überprüfen
Förderleistung ungenügend oder unregelmäßig, Wasser nicht klar	Zu hohe Druckverluste in der Leitung zum Bachlauf/Wasserspeicher	Schlauchlänge und Verbindungsstücke auf Minimum reduzieren, Schläuche möglichst gerade verlegen
	Einlassöffnungen verstopft	Gehäuse reinigen
	Filtermedien verschmutzt	Filtermedien reinigen
	Laufeinheit blockiert	Laufeinheit reinigen
	Teich ist extrem verschmutzt	Algen und Blätter aus dem Teich entfernen, Wasser tauschen
UVC-Lampe leuchtet nicht	Quarzglasrohr ist verschmutzt	Quarzglasrohr reinigen
	UVC-Lampe überhitzt. Temperaturwächter hat die UVC-Lampe abgeschaltet	Nach Abkühlung schaltet sich die UVC-Lampe wieder automatisch ein
	UVC-Lampe defekt	UVC-Lampe austauschen
Gerät schaltet nach kurzer Laufzeit ab	UVC-Lampe sitzt nicht richtig in der Fassung	UVC-Lampe richtig in die Fassung stecken
	Wassertemperatur zu hoch	Maximale Wassertemperatur von +35 °C einhalten

Reinigung und Wartung

Empfehlung zur Reinigung:

- Gerät nach Bedarf, aber mindestens 2-mal jährlich, reinigen.
- An der Pumpe besonders Laufeinheit und Pumpengehäuse reinigen.

Keine chemischen Reinigungsmittel verwenden. Chemische Reinigungsmittel töten die schmutzfressenden Mikroorganismen in den Filtermedien und vermindern so die Filterleistung.

Zugang zum Gerät

Für die Reinigung und Wartung muss das Gerät geöffnet werden, um Zugang zu Filtermedien, Filterpumpe und UVC-Klärer bzw. UVC-Lampe zu erlangen.

So gehen Sie vor:

G

1. Klammern an der Filteroberseite lösen und Filteroberseite vom Gerät abnehmen.
2. Filtermedien entnehmen.

Filtermedien reinigen

Voraussetzung:

- Gehäuse ist geöffnet. (→ Zugang zum Gerät)

So gehen Sie vor:

1. Entnommene Filtermedien mit klarem Leitungswasser sorgfältig reinigen.
2. Filteroberseite sowie Filterunterseite ebenfalls mit klarem Leitungswasser sorgfältig reinigen.
3. Gerät in umgekehrter Reihenfolge zusammenbauen.

Filterpumpe reinigen

Voraussetzung:

- Gehäuse ist geöffnet. (→ Zugang zum Gerät)

So gehen Sie vor:

H

1. Filterpumpe und UVC-Klärer zusammen aus dem Gerät nehmen.
 - Dabei die Kabeltülle an der Anschlussleitung von der Nut in der Filterunterseite abziehen.
2. Überwurfmutter lösen und die Filterpumpe abziehen.
3. Pumpendeckel gegen den Uhrzeigersinn drehen und abnehmen.
 - Darauf achten, dass die Dichtung nicht verloren geht.
4. Laufeinheit aus der Pumpe ziehen.
5. Alle Teile mit klarem Leitungswasser reinigen.
6. Gerät in umgekehrter Reihenfolge zusammenbauen.

G

7. Auf die Kabeltülle an der Anschlussleitung achten. Diese muss zurück auf die Nut der Filterunterseite gesteckt werden.

UVC-Klärer reinigen



VORSICHT

Quarzglas und UVC-Lampe können zerbrechen und Schnittverletzungen verursachen.

- Bei allen Arbeiten am UVC-Klärer vorsichtig sein, um Schnittverletzungen zu vermeiden.
- Erschütterungen, Stöße und hektische Bewegungen vermeiden, um Glasbruch zu verhindern.

Aus Sicherheitsgründen lässt sich die UVC-Lampe erst einschalten, wenn der UVC-Klärer ordnungsgemäß im Gerät eingebaut ist.

Voraussetzung:

- Gehäuse ist geöffnet. (→ Zugang zum Gerät)

So gehen Sie vor:

I

1. Filterpumpe und UVC-Klärer zusammen aus dem Gerät nehmen.
 - Dabei die Kabeltülle an der Anschlussleitung von der Nut in der Filterunterschale abziehen.
2. Überwurfmutter lösen und die Filterpumpe abziehen.
3. Wassergehäuse gegen den Uhrzeigersinn drehen, bis die Markierung auf das geöffnete Schloss zeigt. Anschließend das Wassergehäuse vorsichtig vom Gerätekopf abziehen und alle Teile reinigen.
 - Heftige Stöße können das Quarzglas oder die darunter sitzende UVC-Lampe beschädigen.
 - Quarzglas auf sichtbare Beschädigungen prüfen.
 - Reinigen: Quarzglas mit einem feuchten Tuch von außen, das Wassergehäuse mit klarem Wasser und einer Bürste.
4. Nach der Reinigung den Gerätekopf vorsichtig zurück auf das Wassergehäuse schieben.
 - Darauf achten, dass der große O-Ring sauber eingelegt ist, damit das Gehäuse wasserdicht schließt.
5. Gerätekopf im Uhrzeigersinn drehen, bis die Markierung auf das verriegelte Schloss zeigt.
6. Gerät in umgekehrter Reihenfolge vollständig zusammenbauen.

UVC-Lampe ersetzen



VORSICHT

Quarzglas und UVC-Lampe können zerbrechen und Schnittverletzungen verursachen.

- Bei allen Arbeiten am UVC-Klärer vorsichtig sein, um Schnittverletzungen zu vermeiden.
- Erschütterungen, Stöße und hektische Bewegungen vermeiden, um Glasbruch zu verhindern.

Aus Sicherheitsgründen lässt sich die UVC-Lampe erst einschalten, wenn der UVC-Klärer ordnungsgemäß im Gerät eingebaut ist.

Empfehlung: Für eine optimale Filterleistung, die UVC-Lampe nach ca. 8000 Betriebsstunden ersetzen.

Voraussetzung:

- Gehäuse ist geöffnet. (→ Zugang zum Gerät)
- Wassergehäuse des UVC-Klärers ist geöffnet. (→ UVC-Klärer reinigen)

So gehen Sie vor:

J

1. Mit einem Schraubendreher die Sicherungsschraube an der Überwurfmutter auf dem Quarzglas lösen.
2. Überwurfmutter gegen den Uhrzeigersinn abschrauben, dann vorsichtig das Quarzglas abziehen.
 - Heftige Stöße können das Quarzglas oder die darunter sitzende UVC-Lampe beschädigen.
3. Vorsichtig die UVC-Lampe aus dem Sockel ziehen. Gegen eine neue UVC-Lampe ersetzen.
 - Nur UVC-Lampen verwenden, die den Technischen Daten des Geräts entsprechen. (→ Technische Daten)
4. Vorsichtig das Quarzglas mit der Überwurfmutter und dem O-Ring zurück auf die UVC-Lampe schieben.
 - Darauf achten, dass der O-Ring zwischen Überwurfmutter und Gewinde am UVC-Klärer liegt, damit das Quarzglas wasserdicht schließt.
5. Überwurfmutter im Uhrzeigersinn bis zum Anschlag festziehen. Dann die Sicherungsschraube an der Überwurfmutter festdrehen.
6. Gerätekopf vorsichtig zurück auf das Wassergehäuse schieben.
 - Darauf achten, dass der große O-Ring sauber eingelegt ist, damit das Gehäuse wasserdicht schließt.
7. Gerätekopf im Uhrzeigersinn drehen, bis die Markierung auf das verriegelte Schloss zeigt.
8. Gerät in umgekehrter Reihenfolge vollständig zusammenbauen.

Lagern/Überwintern

Das Gerät ist nicht frostsicher und muss bei zu erwartendem Frost deinstalliert und eingelagert werden.

So lagern Sie das Gerät richtig:

- Gerät gründlich reinigen, auf Beschädigungen prüfen, beschädigte Teile ersetzen.
- Gerät so weit wie möglich entleeren, eine gründliche Reinigung durchführen und auf Schäden überprüfen.
- Sämtliche Schläuche, Rohrleitungen und Anschlüsse soweit wie möglich entleeren.
- Elektrische Anschlüsse vor Feuchtigkeit und Verschmutzung schützen.
- Pumpe getaucht und frostfrei lagern.
- Offene Steckverbindungen vor Feuchtigkeit und Verschmutzung schützen.

Verschleißteile

- Filtermedien
- Laufeinheit
- UVC-Lampe, Quarzglas und O-Ring für Quarzglas

Ersatzteile

Mit Originalteilen von OASE bleibt das Gerät sicher und arbeitet weiterhin zuverlässig.

Ersatzteilzeichnungen und Ersatzteile finden Sie auf unserer Internetseite.



www.oase-livingwater.com/ersatzteile

Entsorgung



HINWEIS

Dieses Gerät darf nicht als Hausmüll entsorgt werden.

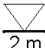





- Gerät durch Abschneiden der Kabel unbrauchbar machen und über das dafür vorgesehene Rücknahmesystem entsorgen.
- UVC-Lampe über das dafür vorgesehene Rücknahmesystem entsorgen.

Technische Daten

Beschreibung		Filtral			
		1500	3000	6000	9000
Bemessungsspannung	V AC	230	230	230	230
Bemessungsfrequenz	Hz	50	50	50	50
Leistungsaufnahme	W	18	36	52	58
Leistung UVC-Lampe TC-S	W	5	9	11	13
Schlauchanschluss mit Stufen-schlauchtüle	mm	13/19/25	13/19/25	13/19/25	13/19/25
Max. Förderleistung	l/h	560	1200	1700	1700
Max. Wassersäule	m	0,9	1,8	2,1	2,1
Filterfläche	cm²	301	440	697	697
Filterschaum (blau)	Anzahl	1	1	1	1
	Porengröße	ppi	10	10	10
Filterschaum (rot)	Anzahl	1	1	1	1
	Porengröße	ppi	30	30	30
Anzahl Bioflächenelemente		1	2	4	4
Anzahl Beutel Filterkeramik		1	1	1	1
Teichgröße (mit Fischbesatz)	m³	0,75	1,5	3	4,5
Teichgröße (ohne Fischbesatz)	m³	1,5	3	6	9
Abmessungen	Länge	mm	207	269	347
	Breite	mm	228	245	276
	Höhe	mm	130	140	157
Gewicht	kg	2,7	3,4	4,9	4,9
Länge Anschlussleitung	m	10	10	10	10

1) Mit optional erhältlicher Venturidüse

Symbole auf dem Gerät

IP 68 	Staubdicht. Wasserdicht bis 2 m Tiefe.
	Gefährliche UVC-Strahlung!
	Bei Frost, das Gerät deinstallieren!
	Zerbrechlich, vorsichtig behandeln. Gefahr von Schnittverletzungen.
	Nicht mit normalem Hausmüll entsorgen!
	Gebrauchsanleitung lesen!



OASE GmbH · www.oase-livingwater.com

Tecklenburger Straße 161 · 48477 Hörstel · Postfach 20 69 · 48469 Hörstel · Germany



70825/10-18