

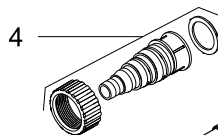
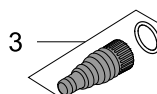
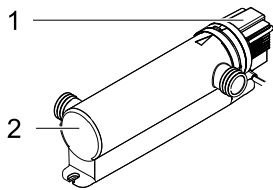
VITRONIC 11 – 55W

DE	Gebrauchsanleitung
EN	Operating instructions
FR	Notice d'emploi
NL	Gebruiksaanwijzing
ES	Instrucciones de uso
PT	Instruções de uso
IT	Istruzioni d'uso
DA	Brugsanvisning
NO	Bruksanvisning
SV	Bruksanvisning
FI	Käyttöohje
HU	Használati útmutató
PL	Instrukcja użytkowania
CS	Návod k použití
SK	Návod na použitie
SL	Navodila za uporabo
HR	Uputa o upotrebi
RO	Instrucțiuni de folosință
BG	Упътване за употреба
UK	Посібник з експлуатації
RU	Руководство по эксплуатации
CN	使用说明书

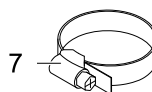
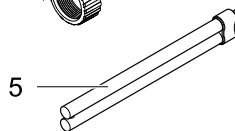
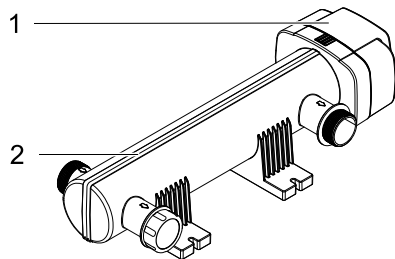




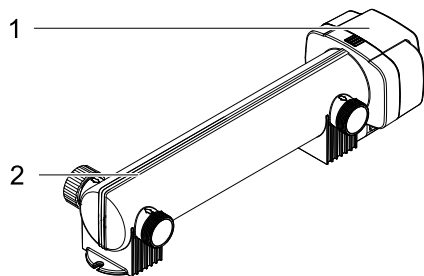
A Vitronic 11W



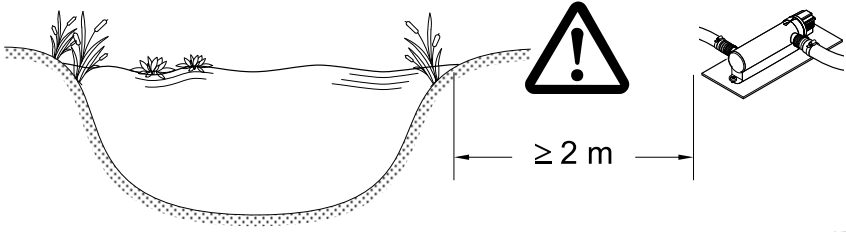
Vitronic 18W/24W/36W



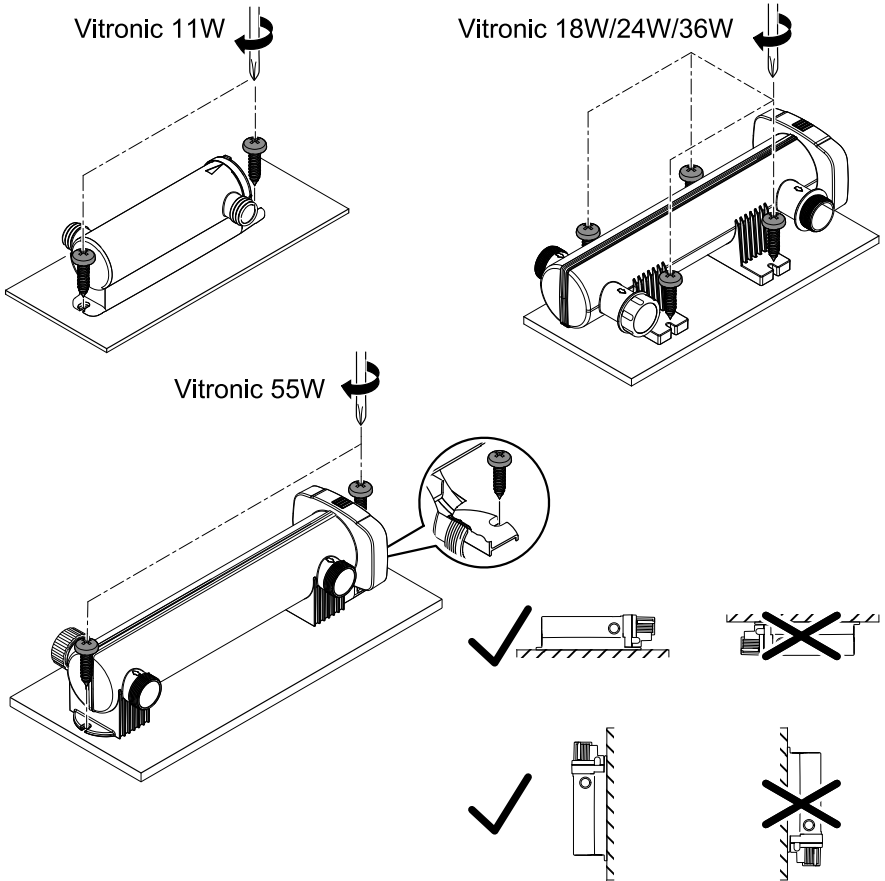
Vitronic 55W



VTC0001

B

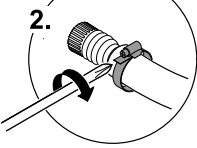
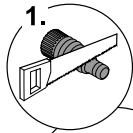
VTC0016

C

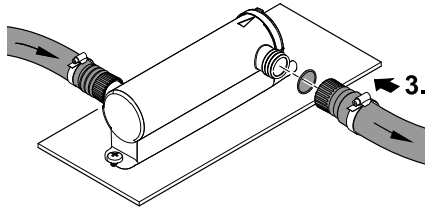
VTC0006



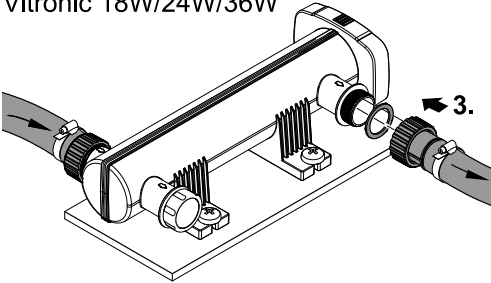
D



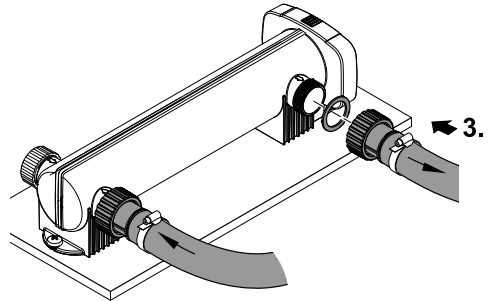
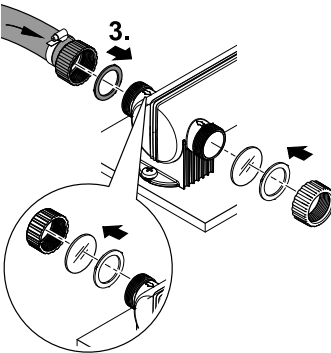
Vitronic 11W



Vitronic 18W/24W/36W



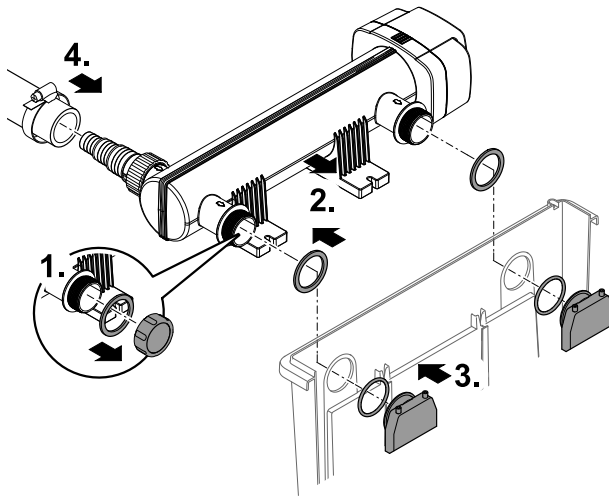
Vitronic 55W



VTC0007

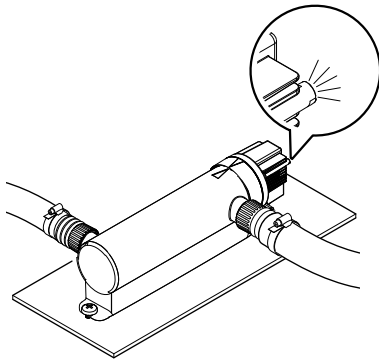


E



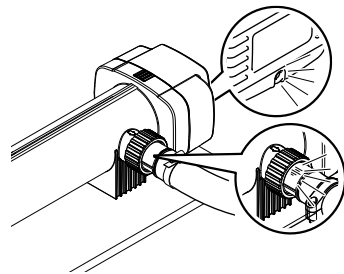
VTC0011

F

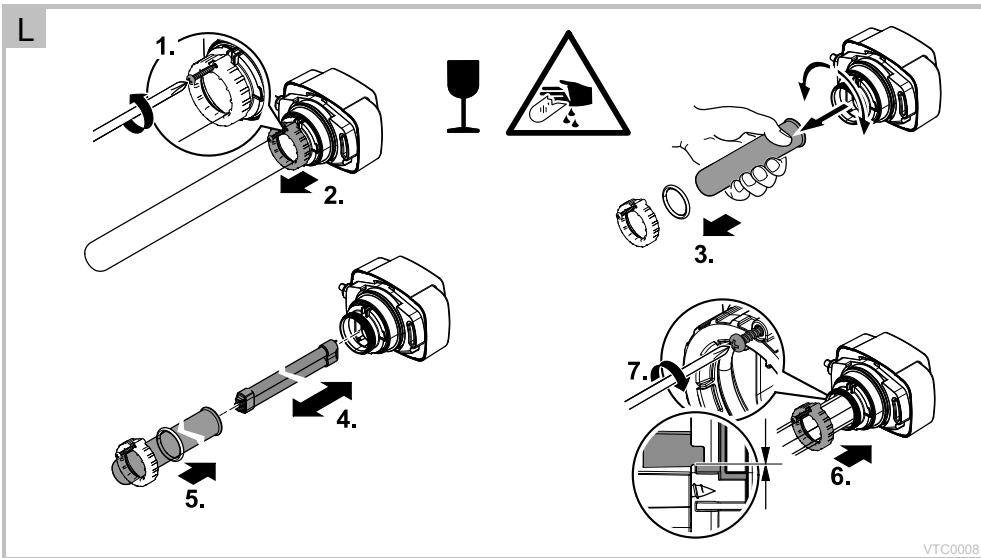
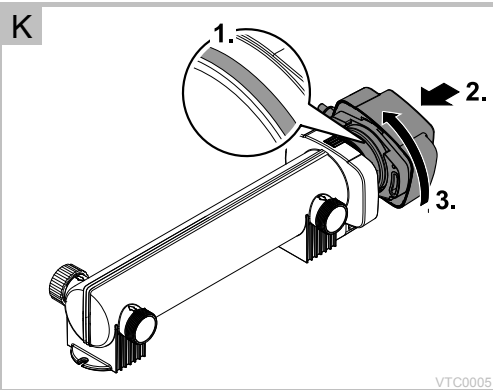
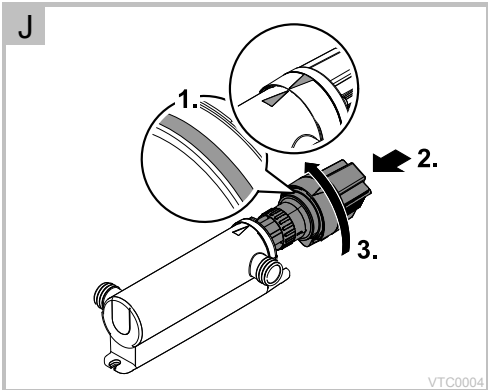
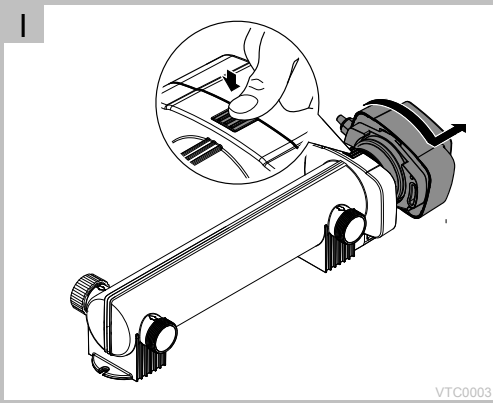
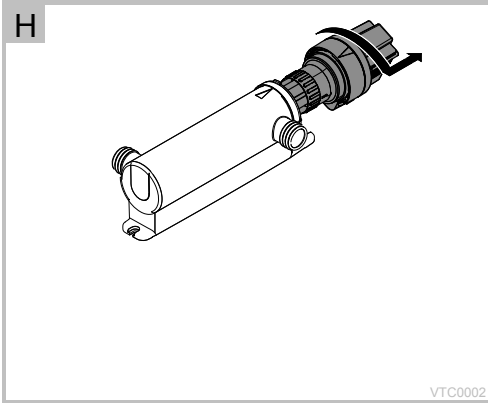


VTC0009

G



VTC0010



Translation of the original Operating Instructions

Information about these operating instructions

Welcome to OASE Living Water. You made a good choice with the purchase of this product **Vitronic**.

Prior to commissioning the unit, please read the instructions of use carefully and fully familiarise yourself with the unit. Ensure that all work on and with this unit is only carried out in accordance with these instructions.

Adhere to the safety information for the correct and safe use of the unit.

Keep these instructions in a safe place! Please also hand over the instructions when passing the unit on to a new owner.

Symbols used in these instructions

The symbols used in this operating manual have the following meanings:



Risk of injury to persons due to dangerous electrical voltage

This symbol indicates an imminent danger, which can lead to death or severe injuries if the appropriate measures are not taken.



Risk of personal injury caused by a general source of danger

This symbol indicates an imminent danger, which can lead to death or severe injuries if the appropriate measures are not taken.



Important information for trouble-free operation.

□ A Reference to a figure, e.g. Fig. A.

→ Reference to another section.

Product Description

Scope of delivery

□ A		11W	Vitronic 18W/24W/36W/55W
1	Unit head	1 x	1 x
2	Casing	1 x	1 x
3	Black stepped hose adapter with O ring – Ø 19 ... 38 mm (Ø ¾ ... 1½ in)	2x	–
4	Transparent stepped hose adapter with union nut and flat seal – Ø 25 ... 38 mm (Ø 1 ... 1½ in)	–	2 x
5	UVC lamp	1 x	1 x
6	Hose clip 20 ... 32 mm	–	2 x
7	Hose clip 35 ... 50 mm	–	2 x

Function description

The special UVC radiation of the UVC clarifier eliminates floating algae and other algae that give water a green colour. It also kills bacteria and other germs. The UVC clarifier is integrated in the water circuit, ideally upstream of a filter.

Intended use

Vitronic, referred to in the following as "unit", may only be used as specified in the following:

- For cleaning garden ponds.
- For operation with clean water.
- Operation under observance of the technical data.

The following restrictions apply to the unit:

- Never use the unit to convey fluids other than water.
- Never run the unit without water.
- Never operate the UVC lamp outside the casing or use it for any other purposes. The UVC radiation is harmful to the eyes and skin even in small doses.
- Do not use for commercial or industrial purposes.
- Do not use in conjunction with chemicals, foodstuff, easily flammable or explosive substances.

Safety information

Hazards to persons and assets may emanate from this unit if it is used in an improper manner or not in accordance with its intended use, or if the safety instructions are ignored.

This unit can be used by children aged 8 and above and by persons with reduced physical, sensory or mental capabilities or lack of experience and knowledge if they are supervised or have been instructed on how to use the unit in a safe way and they understand the hazards involved.

Do not allow children to play with the unit.

Only allow children to carry out cleaning and user maintenance under supervision.

Hazards encountered by the combination of water and electricity

- The combination of water and electricity can lead to death or severe injury from electrocution, if the unit is incorrectly connected or misused.
- Prior to reaching into the water, always switch off the mains voltage to all units used in the water.

Correct electrical installation

- Electrical installations must meet the national regulations and may only be carried out by a qualified electrician.
- A person is regarded as a qualified electrician if, due to his/her vocational education, knowledge and experience, he or she is capable of and authorised to judge and carry out the work commissioned to him/her. This also includes the recognition of possible hazards and the adherence to the pertinent regional and national standards, rules and regulations.
- For your own safety, please consult a qualified electrician.
- The device may only be connected if the electrical data of the device and the power supply coincide. The device data is to be found on the device type plate, on the packaging or in this manual.
- Ensure that the unit is fused for a rated fault current of max. 30 mA by means of a fault current protection device.
- Extension cables and power distributors (e.g. outlet strips) must be suitable for outdoor use (splash-proof).
- Minimum safety distance between the unit and the water: 2 m.
- Protect the plug connections from moisture.
- Only plug the unit into a correctly fitted socket.

Safe operation

- Never operate the unit if either the electrical cables or the housing are defective!
- Do not carry or pull the unit by its electrical cable.
- Route cables/hoses such that they are protected from damage and do not present a tripping hazard.
- Only open the unit housing or its attendant components, when this is explicitly required in the operating instructions.
- Only carry out work on the unit that is described in this manual. If problems cannot be overcome, please contact an authorised customer service point or, when in doubt, the manufacturer.
- Only use original spare parts and accessories for the unit.
- Never carry out technical modifications to the unit.
- Power connection cables cannot be replaced. If a cable is damaged, dispose of the respective unit or components.
- Only operate the unit if no persons are in the water.
- The unit, the connections and plugs are not water-proof and must not be routed or installed in water.
- Keep the socket and power plug dry.

Installation and connection

Prerequisite

- The unit head is removed. (→ Removing the unit head)

Set-up the unit

How to proceed:

B, C

- Install the unit at least 2 m from the edge of the pond.
- Only install the unit in the permitted positions to ensure fault-free operation.
- Allow sufficient space for carrying out maintenance work.

Connect the unit

Use hoses that are suitable for a pressure of at least 1 bar.

How to proceed:

D

Shorten the stepped hose adapter to the diameter of the hose used if necessary.

- This reduces pressure losses.

Slip the hose clip over the hose, fit the hose onto the hose connector and secure with the hose clip.

- In the case of a stepped hose adapter with separate union nut, first push the union nut over the hose.

Connect the stepped hose adapter with seal to the casing.

- Connect the inlet and outlet.
- Hand tighten the stepped hose adapter.

Connect the unit to the flow-through filter.

Vitronic 18 W / 24 W / 36 W

The unit is suitable for connection to flow-through filters. Both outlet sockets are screwed to the inlet nozzles on the flow-through filter. Adhere to the instructions for use of the flow-through filter.

How to proceed:

E

Unscrew the cover cap.

Guide the outlet sockets with flat seal through both holes in the container wall of the flow-through filter.

Screw the inlet nozzle with O ring onto the outlet socket and hand tighten.

Connect the supply hose to the inlet socket. (→ Establish connections)

Commissioning/start-up



Attention! Dangerous electrical voltage.

Possible consequences: Death or severe injury.

Protective measures:

- Prior to reaching into the water, switch off the mains voltage to all units used in the water.
- Switch off the mains voltage prior to carrying out work on the unit.

Prerequisite

- Switch the pump on first, then switch on the UVC clarifying unit.
- Check all connections for leaks.

Switching ON/switching OFF

- **Switching on:** Insert the power plug into the socket.
 - The unit switches on immediately.
- **Switching off:** Disconnect the power plug.

Check the function.

Vitronic 11 W

F

- The function display is lit when the UVC lamp is switched on.

Vitronic 18 W / 24 W / 36 W / 55 W

G

- The function display is lit when the UVC lamp is switched on.
- The transparent stepped hose adapters are lit when the UVC lamp is switched on.

Remedy of faults

Malfunction	Cause	Remedy
The performance of the unit is not satisfactory	The water is extremely soiled	Remove algae and leaves from the pond, change the water
	The quartz glass is soiled	Clean the quartz glass
	The UVC lamp capacity is exhausted	The lamp must be replaced after 8000 operating hours
UVC lamp is not lit	Flow rate is too high	Reduce the pump output
	Power plug not connected	Connect power plug
	UVC lamp defective	Replace the UVC lamp
	Connection defective	Check electrical connection
	UVC overheated	Vitronic 55: UVC automatically switches on when it has cooled down

Wear parts

The following components are wear parts and are excluded from the warranty:

- UVC lamp, quartz glass and O ring for quartz glass

Maintenance and cleaning



Attention! Dangerous electrical voltage.

Possible consequences: Death or severe injury.

Protective measures:

- Prior to reaching into the water, switch off the mains voltage to all units used in the water.
- Switch off the mains voltage prior to carrying out work on the unit.

Cleaning the unit



Note!

Recommendation on regular cleaning:

- Clean the pump as required but at least twice a year.

- Do not use aggressive cleaning agents or chemical solutions as they could attack the housing or impair the function of the unit.
- Recommended cleaning agent for removing stubborn limescale deposits:
 - Pump cleaning agent PumpClean from OASE.
 - Vinegar- and chlorine-free household cleaning agent.
- After cleaning, thoroughly rinse all parts in clean water.

Dismantling the unit head



Attention! Ultra-violet radiation.

Possible consequences: Eye or skin injury from burns.

Protective measures:

- Never operate the UVC lamp outside its housing.
- Never operate the UVC lamp in a housing that is defective.



Attention! Breakable glass.

Possible consequences: Injury to your hands caused by cuts.

Protective measures: Handle the quartz glass and UVC lamp with care.

Vitronic 11 W

How to proceed:

H

Turn the unit head counter-clockwise up to the stop and carefully pull it out of the casing together with the O ring.

- Thoroughly clean the inner and outer surfaces of the casing.

Vitronic 18 W / 24 W / 36 W / 55 W

How to proceed:

I

Press the engagement hooks.

Turn the unit head counter-clockwise as far as the stop and carefully pull it out of the casing.

- Thoroughly clean the inner and outer surfaces of the casing.



Note!

For safety reasons the UVC lamp can only be switched on when the unit head has been correctly fitted into the casing.

Fitting the unit head

Vitronic 11 W

How to proceed:

J

Check the O ring at the unit head for correct seating.

- Clean the O ring, replace if damaged.

Carefully push the unit head into the casing up to the stop while applying slight pressure.

- Turn the unit head slightly so that the tenons and grooves of the bayonet closure intermesh.

Turn the unit head clockwise up to the stop.

- The two arrows on the casing and unit head must point towards one another.

Vitronic 18 W / 24 W / 36 W / 55 W

How to proceed:

K

Check the O ring at the unit head for correct seating.

- Clean the O ring, replace if damaged.

Carefully push the unit head into the casing up to the stop while applying slight pressure.

- Turn the unit head slightly so that the tenons and grooves of the bayonet closure intermesh.

Turn the unit head clockwise up to the stop.

Cleaning the quartz glass / Replacing the UVC lamp

Replace the UVC lamp after max. 8,000 operating hours (this corresponds to approx. one pond season with continuous operation). This ensures optimum filtering performance.



Attention! Breakable glass.

Possible consequences: Injury to your hands caused by cuts.

Protective measures: Handle the quartz glass and UVC lamp with care.

Prerequisite

- The unit head is removed. (→ Removing the unit head)
- Only use UVC lamps whose identification and capacity data correspond to the information on the type plate. (→ Technische Daten)

How to proceed:

L

Loosen the self-tapping screw until the the screw tip is sunk in the housing of the clamping screw.

Unscrew the clamping screw counter-clockwise.

Remove the quartz glass including the O ring towards the front with a slight turning movement.

Pull out the UVC lamp and replace.

Push the quartz glass including the O ring as far as the stop in the unit head.

- Clean the O ring, replace if damaged.
- Ensure that the O ring is located in the gap between the unit head and the quartz glass.

Tighten the clamping screw clockwise up to the stop.

Tighten the self-tapping screw.

Wipe the quartz glass tube with a damp cloth

Storage/Over-wintering

Remove the unit at temperatures below zero degrees centigrade. Thoroughly clean and check the unit for damage.





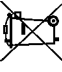

Disposal







Do not dispose of this unit with domestic waste! For disposal purposes, please use the return system provided. Disable the unit beforehand by cutting off the cables.

Dispose of the UVC lamp by using the return system provided for this purpose.

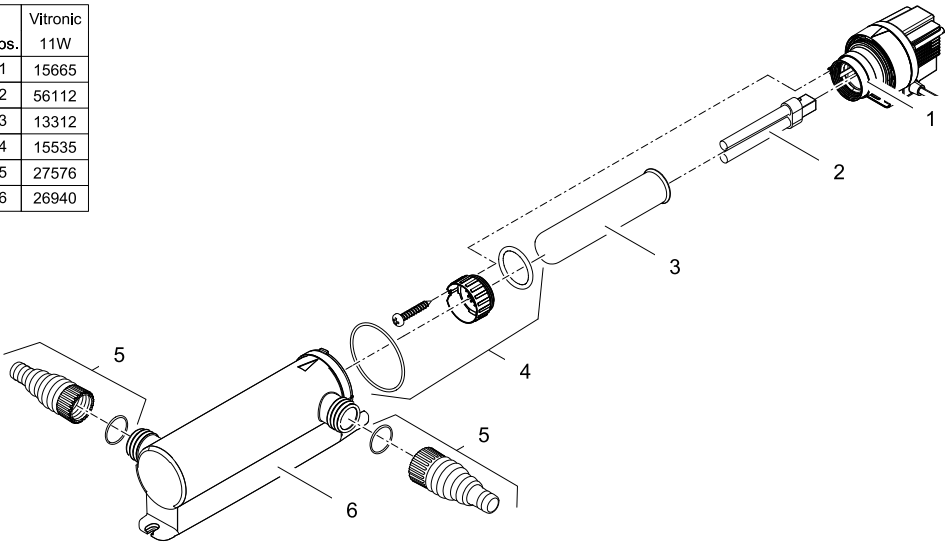
DE	Typ	Abmessungen	Gewicht	Wassertemperatur	Bemessungsspannung	Betriebsdruck	Durchflussmenge	Leistungsaufnahme	UVC-Lampe
EN	Type	Dimensions	Weight	Water temperature	Rated voltage	Operating pressure	Flow volume	Power consumption	UVC lamp
FR	Type	Dimensions	Poids	Température de l'eau	Tension de mesure	Pression de service	Débit	Puissance absorbée	Lampe UVC
NL	Type	Afmetingen	Gewicht	Wattentemperatuur	Dimensioneringsspanning	Bedrijfsdruk	Doorstroomhoeveelheid	Vermogensname	UVC-lamp
ES	Tipo	Dimensiones	Peso	Temperatura del agua	Tensión asignada	Presión de servicio	Caudal	Consumo de potencia	Lámpara UVC
PT	Tipo	Dimensões	Peso	Temperatura da água	Voltagem considerada	Pressão de trabalho	Caudal	Polência absorvida	Lâmpada UVC
IT	Tipo	Dimensioni	Peso	Temperatura dell'acqua	Tensione di taratura	Pressione d'esercizio	Portata	Potenza assorbita	Lampada UVC
DA	Type	Dimensioner	Vægt	Vandtemperatur	Nominal spænding	Driftstryk	Gennemstrømningsmængde	Effektforbrug	UVC-pære
NO	Type	Mål	Vekt	Vanntemperatur	Merkespenning	Driftstrykk	Gjennomsnittsmengde	Effektopptak	UV-lampe
SV	Typ	Mått	Vikt	Vattentemperatur	övre märkspänning	Drifttryck	Flödesmängd	Effekt	UVC-lampa
FI	Tyyppi	Mitat	Paino	Veden lämpötila	mitoituspännite	Käyttöpain	Läpivirtaus-määrä	Ottoteho	UVC-lamppu
HU	Típus	Méreték	Súly	Víz hőmérséklet	mért feszültség	Uzemi nyomás	Afolyási mennyiség	Teljesítményfelvétel	UVC-lámpa
PL	Typ	Wymiary	Ciężar	Temperatura wody	napięcie znamionowe	Cisnienie robocze	Natężenie przepływu	Pobór mocy	Lampa ultravioletowa
CS	Typ	Rozměry	Hmotnost	Teplota vody	domozvací napětí	Provozní tlak	Průtok	Příkon	UVC zářivka
SK	Typ	Rozmery	Hmotnosť	Teplota vody	dimenzované napätie	Prevádzkový tlak	Prietok	Prikon	UVC žiarivka
SL	Tip	Dimenzije	Teža	Temperatura vode	dimenzionirana napetost	Delovni tlak	Količina pretoka	Poraba moči	UVC-zarnica
HR	Tip	Dimenzije	Težina	Temperatura vode	gornji nazivni napon	Radni tlak	Protokna količina	Potrošnja energije	UVC-žarulja
RO	Tip	Dimensiuni	Greutate	Temperatura apei	tensiunea măsurată	Presiune de funcționare	Debit vehicular	Putere consumată	Lampă cu ultraviolete
BG	Тип	Размери	Тегло	Температурата на водата	номинално напрежение	Работно налягане	Дебит	Потребявана мощност	UVC - лампа
UK	Тип	Розміри	Вага	Температура води	розрахункова напруга	Робочий тиск	Кількість води, що протікає	Споживання електроенергії	Ультрафіолетова лампа
RU	Тип	Размеры	Вес	Температура воды	расчетное напряжение	Рабочее давление	Расход	Потребление мощности	Коротковолновая УФ-лампа
CN	型号	尺寸	重量	水温	设计电压	运行压力	流量	功耗	紫外线灯管
Vitronic	11W	330 x 120 x 100 mm	1.4 kg		230 V AC, 50 Hz	≤ 0.5 bar	≤ 1700 l/h	14 W	11 W TC-S (UV-C)
	18W	529 x 186 x 130 mm	2.2 kg				≤ 3500 l/h	18 W	18 W TC-L (UV-C)
	24W	529 x 186 x 130 mm	2.2 kg	+4 ... +35 °C	220 ... 240 V AC, 50/60 Hz	≤ 0.6 bar	≤ 4500 l/h	24 W	24 W TC-L (UV-C)
	36W	529 x 186 x 130 mm	2.2 kg				≤ 6000 l/h	36 W	36 W TC-L (UV-C)
	55W	660 x 155 x 135 mm	2.8 kg				≤ 8500 l/h	55 W	55 W TC-L (UV-C)

IP 24

						
DE Schutz gegen das Berühren von gefährlichen Teilen. Spritzwasser-schutz	Gefährliche UV-C-Strahlung!	Bei Frost, das Gerät deinstallieren!	Vor direkter Sonneneinstrahlung schützen	Leuchte ist geeignet zur direkten Befestigung auf normalen entflammaren Befestigungsfächern.	Nicht mit normalem Hausmüll entsorgen!	Lesen Sie die Gebrauchsanleitung
EN Protection to prevent touching dangerous components. Splashing water protected	Dangerous UV-C radiation!	Remove the unit at temperatures below zero (centigrade).	Protect from direct sun radiation.	The lamp is suitable for fastening on non-flammable mounting surfaces.	Do not dispose of together with household waste!	Read the operating instructions
FR Protection contre le contact de pièces dangereuses. Protégé contre les projections d'eau	Rayonnement UV-C dangereux !	Retirer l'appareil en cas de gel	Protéger contre les rayons directs du soleil.	La lampe est prévue pour une fixation directe sur des surfaces de fixation d'une inflammabilité normale.	Ne pas recycler dans les ordures ménagères !	Lire la notice d'emploi
NL Beveiliging tegen het aanraken van gevaarlijke delen. Spatwater-bescherm	Gevaarlijke UV-C-straling!	Bij vorst het apparaat deinstalleren!	Beschermen tegen direct zonlicht.	Lamp is geschikt voor directe bevestiging op normale ontvlambare bevestigingsoppervlakten.	Niet bij het normale huisvuil doen!	Lees de gebruiksaanwijzing
ES Protección contra contacto con las partes peligrosas. A prueba de salpicaduras	Radiación UV-C peligrosa.	Desinstale el equipo en caso de heladas.	Proteja-se contra la radiación directa del sol.	A lámpara se adapta a la fijación directa en superficies de fijación normales inflamables.	¡No deseche el equipo en la basura doméstica!	Lea las instrucciones de uso
PT Proteção contra contacto com componentes perigosos. A prova de respingos de água	Radiação UV-C perigosa!	Em caso de geada, desinstalar o aparelho!	Proteger contra radiação solar directa.	A lâmpada está apropriada para a fixação directa sobre bases com inflamabilidade normal.	Não deitar ao lixo doméstico!	Leia as instruções de utilização
IT Protezione contro il contatto con parti pericolose. Protetto contro gli spruzzi d'acqua	Pericolosa radiazione UV-C!	In caso di gelo disinstallare l'apparecchio!	Proteggere contro i raggi solari diretti.	La lampada è adatta al fissaggio diretto su normali superfici di fissaggio infiammabili.	Non smaltire con normali rifiuti domestici!	Leggere le istruzioni d'uso!
DA Beskyttelse mod berøring af farlige dele. Stenkvandsbeskyttet	Farlig UV-C-stråling!	Afmonter apparatet ved frostvejr!	Beskyt mod direkte sollys.	Lampe egnet til direkte fastgøring på normalt antændelige fastgøringsflader.	Må ikke bortskaffes med det almindelige husholdningsaffald!	Læs brugsanvisningen
NO Beskyttelse mot berøring av farlige deler. Beskyttet mot vannsprut	Farlig UV-stråling!	Ved frost, demonter apparatet!	Beskytt mot direkte sollys.	Lykten er egnet til å festes direkte på vanlige antenndelige festeflater.	Ikke kast i alminnelig husholdningsavfall!	Les bruksanvisningen
SV Skydd mot beröring av farliga delar. Droppätt	Farlig UV-C-stråling!	Demontera apparaten in- om frost!	Skydda mot direkt solstrålning.	Lampan är avsedd monteraspå icke brännbara ytor.	Får inte kastas i hushållsopparna!	Läs igenom bruksanvisningen
FI Vaarallisten osien kosketussuoja. Suojattu roiskevedeltä	Vaarallinen UV-C-säteily!	Laitte on purettava emmen pakkasia.	Suojattava suorasta auringonvalolta.	Lamppu soveltuu suoraan kiinnitykseen tavallisille palaville kiinnityspinnille.	Ei saa hävittää tavallisen kotitalousjätteen mukana!	Lue käyttöohje
HU A veszélyes alkáliszerek megérintése elleni védő. Vízpermetálló	Veszélyes UV-C-sugárzás!	Fagy esetén a készüléket le kell szerelni!	Óvja közvetlen nap-sugárzástól.	A lámpa alkalmas közvetlen rögztelésre normál lobbantékony rögztelésfelületeken.	A készülék nem a normál háztartási szeméttel együtt kell megsemmisíteni!	Olvassa el a használati útmutatót
PL Zabezpieczenie przed dotknięciem niebezpiecznych części. Odporny na spryskiwanie wodą	Niebezpieczne promieniowanie ultrafioletowe!	W razie mrozu zdeinstalować urządzenie!	Chronić przed bezpośrednim nasłonecznieniem.	Lampa nadaje się do bezpośredniego mocowania do podłoża o właściwościach zapalnych.	Nie wyrzucać wraz ze śmieciami domowymi!	Przeczytać instrukcję użytkowania!
CS Ochrana proti dotyku nebezpečných částí. Ochrana proti stříkající vodě	Nebezpečné ultrafialové záření.	Při mrazu přístroj odinstalovat!	Chránit před přímým slunečním zářením.	Žáříč je vhodný k přímému upevnění na normální hořlavé upevňovací plochy.	Nelikvidovat v normálním komunálním odpadu!	Přečtete Návod k použití!
SK Ochrana proti dotyku nebezpečných častí. Ochrana proti striekajúcej vode	Nebezpečné ultrafialové žiarenie.	Pri mraze prístroj odinstalovať!	Chránit pred priamym slnečným žiarením.	Žiarič je vhodný k priamemu upevneniu na normálne horľavé upevňovacie plochy.	Nelikvidovať v normálnom komunálnom odpade!	Přečítajte si Návod na použitie!

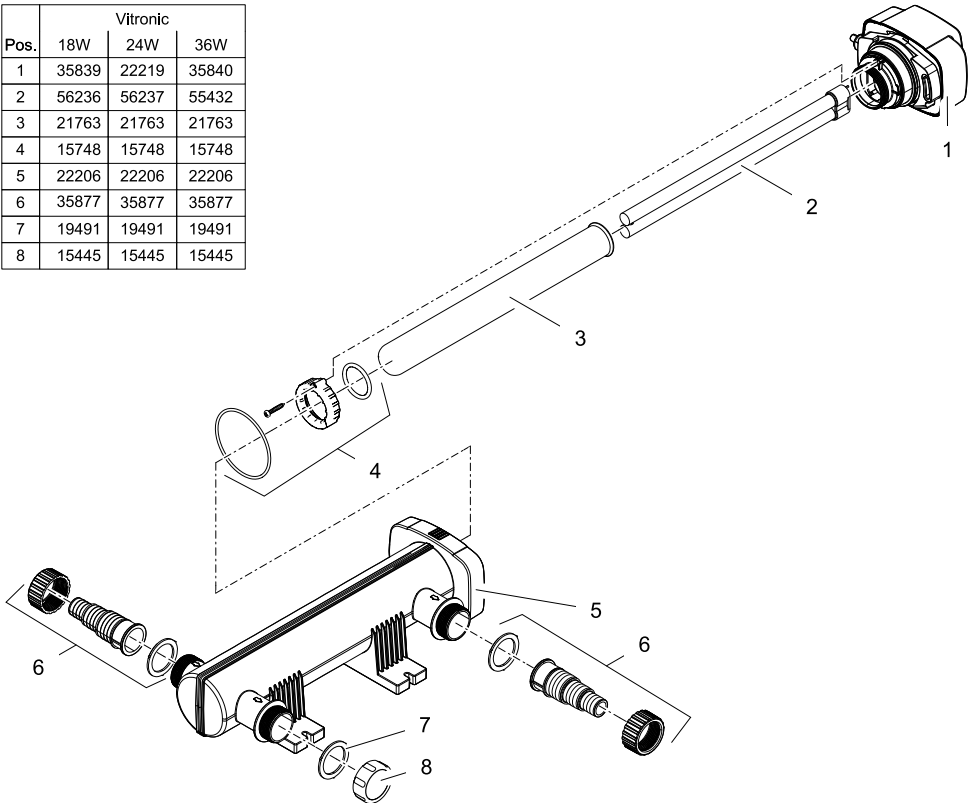
IP 24						
SL	Nevarno UV- sevanje!	Ob zmrzali demontirajte napravo!	Zaščitite pred neposre- dnimi sončnimi žarki.	Svetilka je namenjena direktni pritrditvi na oblačno vnetljivo pritrdilno podlogo.	Ne zavrzite skupaj z obo- jimi spojinskimi odpadki!	Preberite navodila za uporabo!
HR	Opasno UV zračenje!	U slučaju mraza demonta- irajte uređaj!	Zaštitite od izravnoг sunčevog zračenja.	Žarulja je prikladna za izravno pričvršćenje na normalno zapaljive površine za pričvršćenje.	Nemojte ga bacati u običan kućni otpad!	Pročitajte upute za upotrebu!
RO	Radiații ultraviolete periculoase!	În perioadele cu îngheț dezinstalați aparatul !	Protejezi împotriva ra- zelor directe ale soare- lui.	Lampa este destinată fixării directe pe su- prafețe de fixare cu inflamabilitate nor- mală.	Nu aruncați în gunoierii menajere !	Citiți instrucțiunile de utilizare !
BG	Опасно ультравиолетово лъчение!	При опасност от измръз- ване деинсталирайте уреда!	Да се пази от слън- чеви лъчи.	Крушката е пригодена за директно за- крепяване върху нормално възпламеня- емитовърхности.	Не изхвърляйте заедно с обикновените дома- кински боклуци!	Прочетете упътването
UK	Небезпечне ул- трафіолетове ви- промінювання!	Перед морозами прист- рій необхідно демонту- вати	Пристрій повинен бути захищений від прямого сонячного випромінювання.	Освітлювальний пристрій придатний для безпосереднього - закріплення на значених легкоспалюмих поверхнях.	Не викидайте разом із побутовими сміттями!	Читайте інструкцію.
RU	Опасное коротко- волновое УФ-излучение!	При наступлении моро- зов прибор демонтиро- вать!	Защитить от прямого воздействия солнеч- ных лучей.	Светильник предназначен для прямого крепления на обыкновенных воспламе- няющихся поверхностях крепления.	Не утилизировать вме- сте с домашним мусо- ром!	Прочитайте инструк- цию по использова- нию
CN	危险的紫外线照射!	霜冻时，拆卸设备！	防止阳光直射。	灯具适合于直接安装在普通的可燃固定面 上。	不要同普通的家庭垃圾一 起处理!	请阅读使用说明书。

Pos.	Vitronic 11W
1	15665
2	56112
3	13312
4	15535
5	27576
6	26940



VTC0014

Pos.	Vitronic		
	18W	24W	36W
1	35839	22219	35840
2	56236	56237	55432
3	21763	21763	21763
4	15748	15748	15748
5	22206	22206	22206
6	35877	35877	35877
7	19491	19491	19491
8	15445	15445	15445



Pos.	Vitronic
	55W
1	35841
2	56636
3	13331
4	15748
5	35797
6	35877
7	3555
8	29421
9	12096

